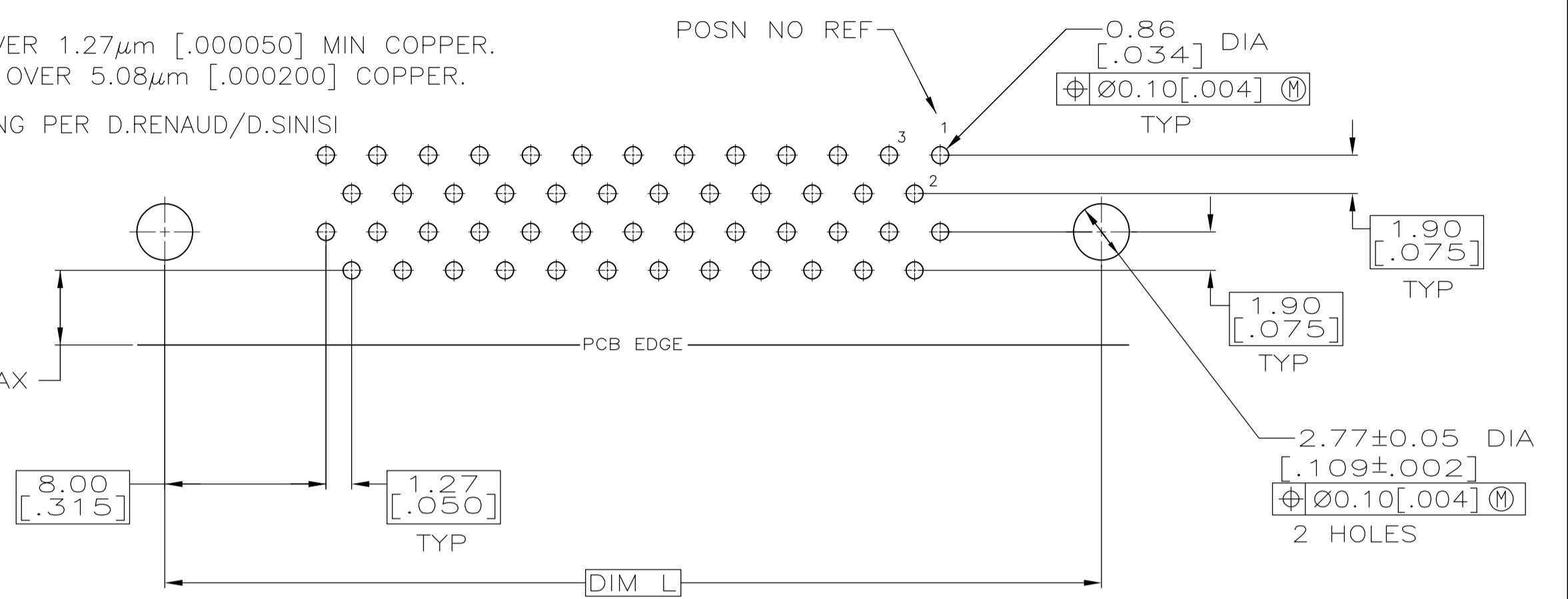
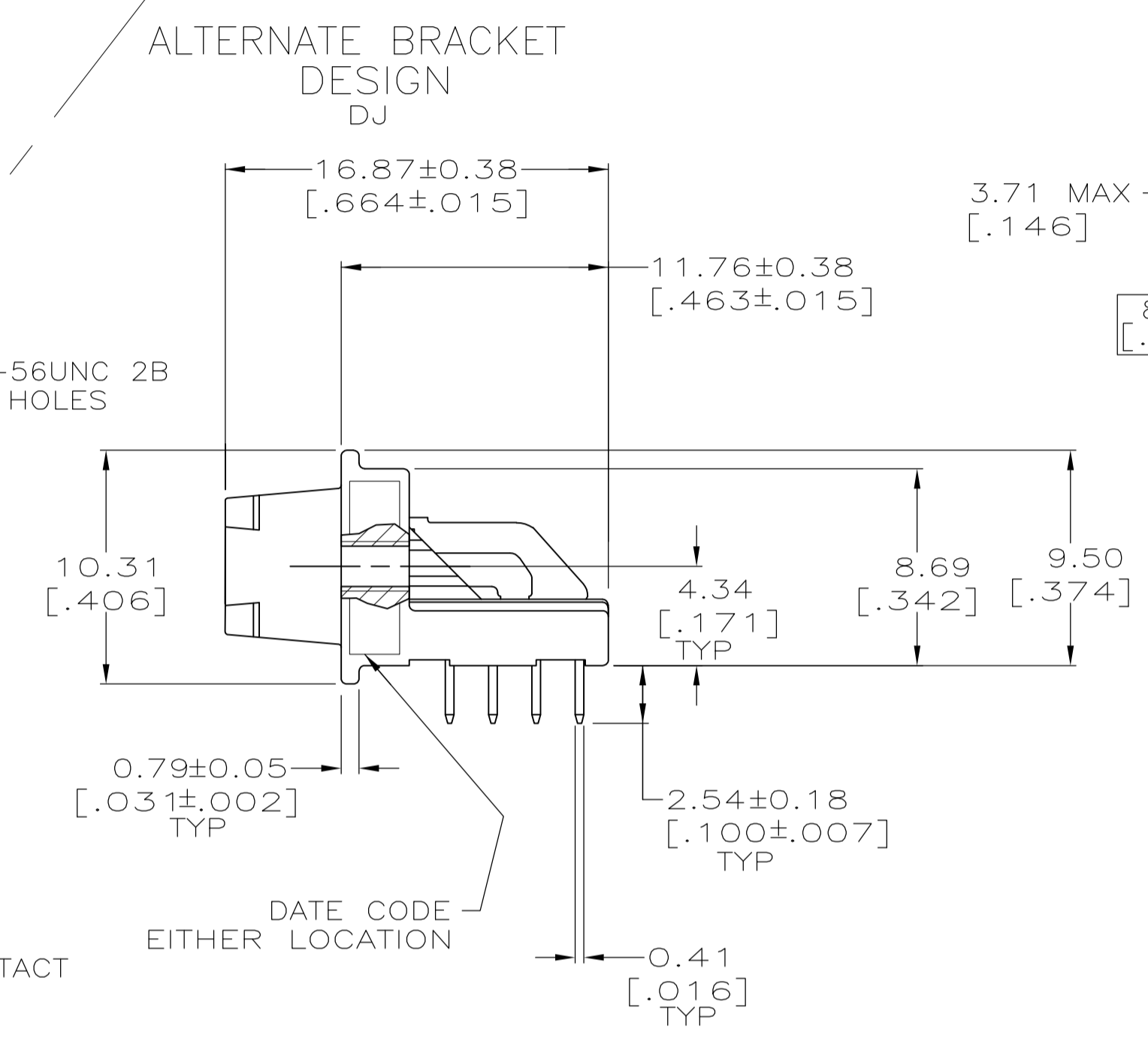
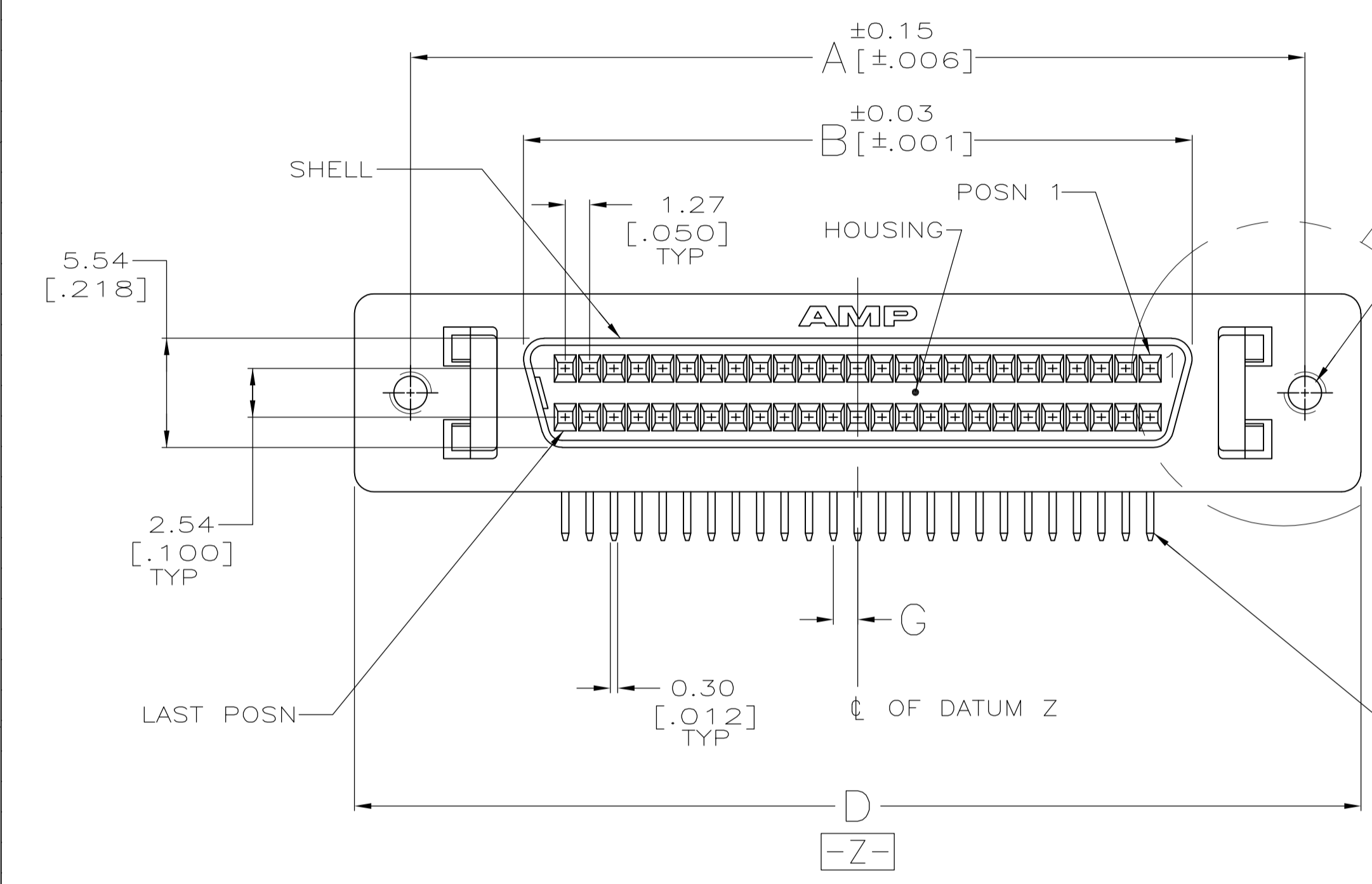
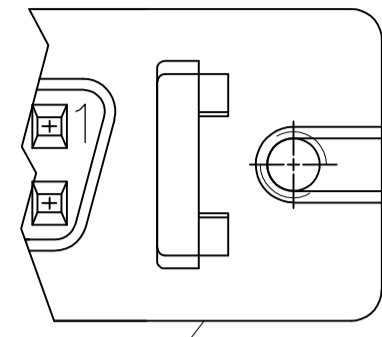
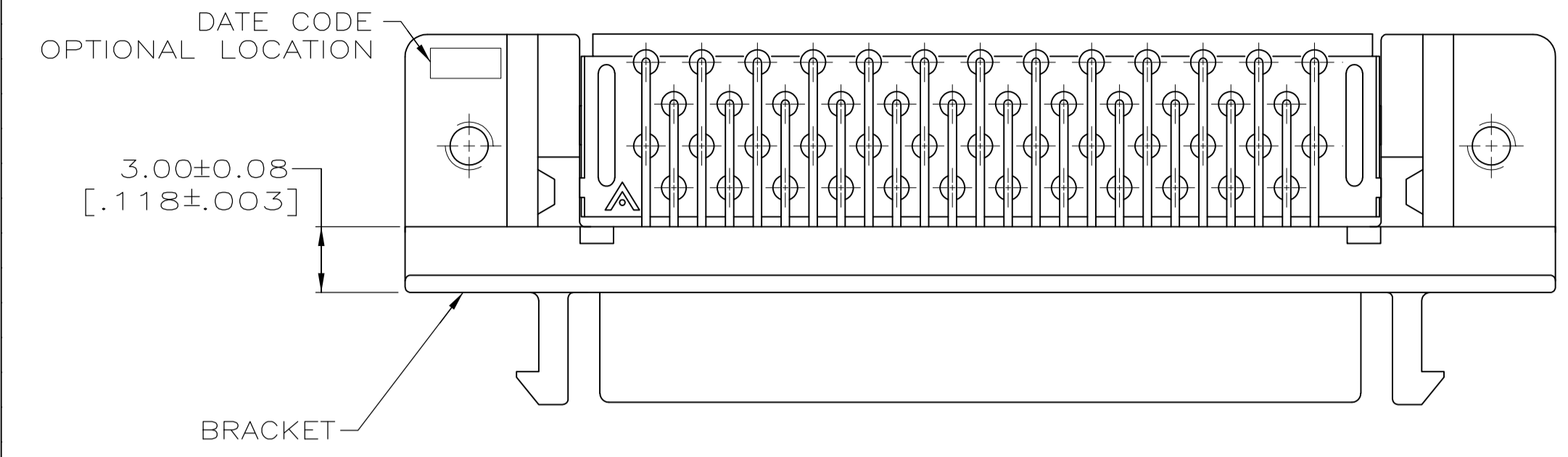


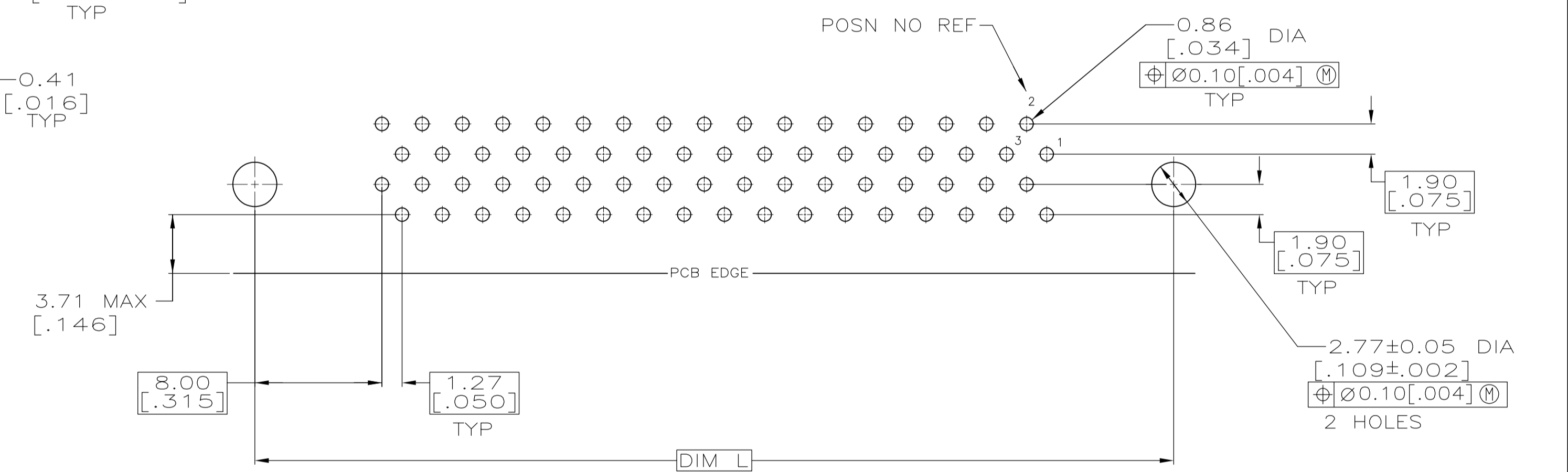
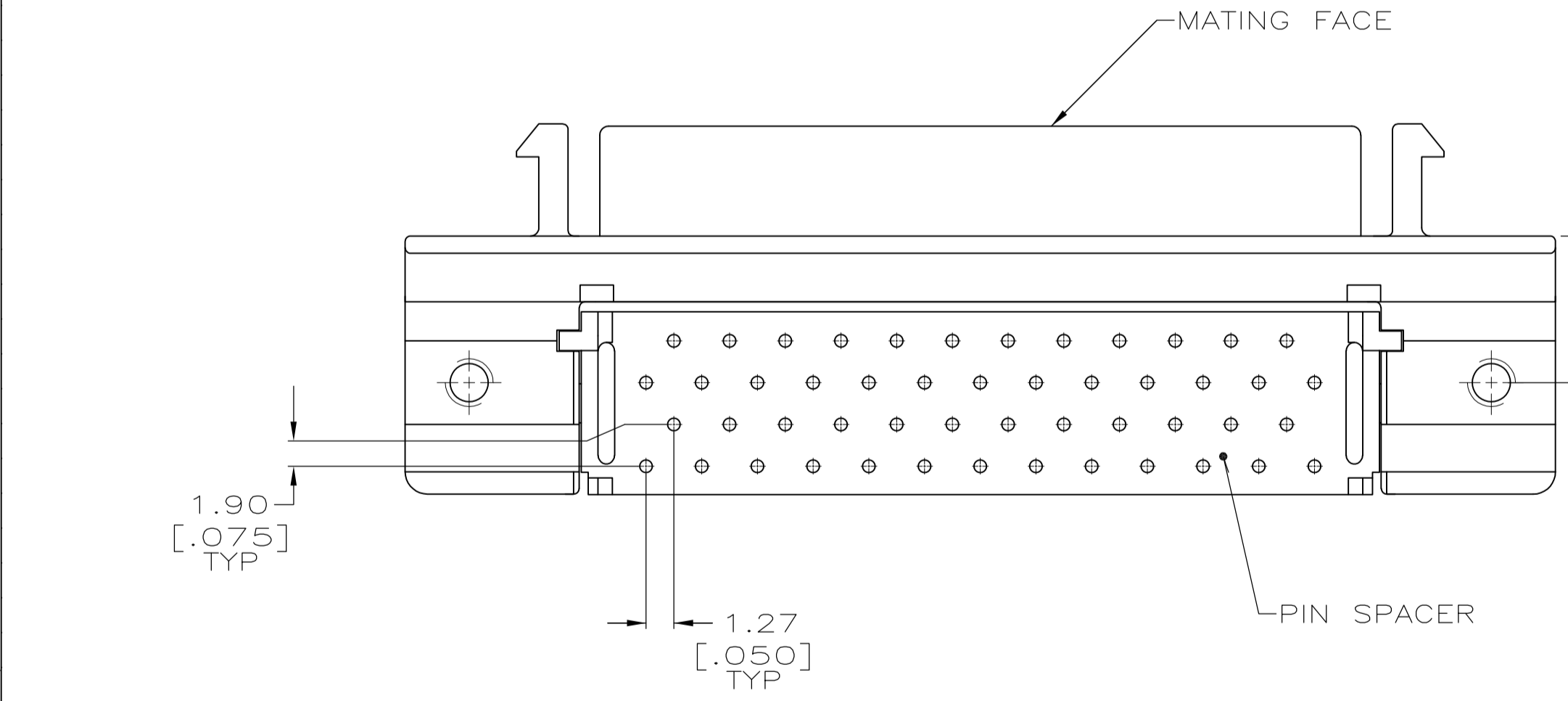
CONTACTS: PHOSPHOR BRONZE
 HOUSING & PIN SPACER: UL 94V-0 RATED, THERMOPLASTIC, BLACK
 BRACKET: ZINC
 SHELL: CARBON STEEL

CONTACTS: EITHER 0.76µm [.000030] MIN GOLD PLATE FOR A LENGTH OF 0.64 [.025] MAX, 0.13 [.005] MIN FROM MATING END OR GOLD FLASH OVER PALLADIUM NICKEL PLATE, 0.76µm [.000030] MIN TOTAL FOR A LENGTH OF 0.64 [.025] MAX, 0.13 [.005] MIN FROM MATING END. 3.81µm [.000150] MIN TIN ON OPPOSITE END FOR A LENGTH OF 2.72 [.107] MIN, BOTH OVER 1.27µm [.000050] MIN NICKEL.
 SHELL: 5.08µm [.000200] MIN NICKEL OVER 1.27µm [.000050] MIN COPPER.
 BRACKET: 2.54µm [.000100] MIN NICKEL OVER 5.08µm [.000200] COPPER.

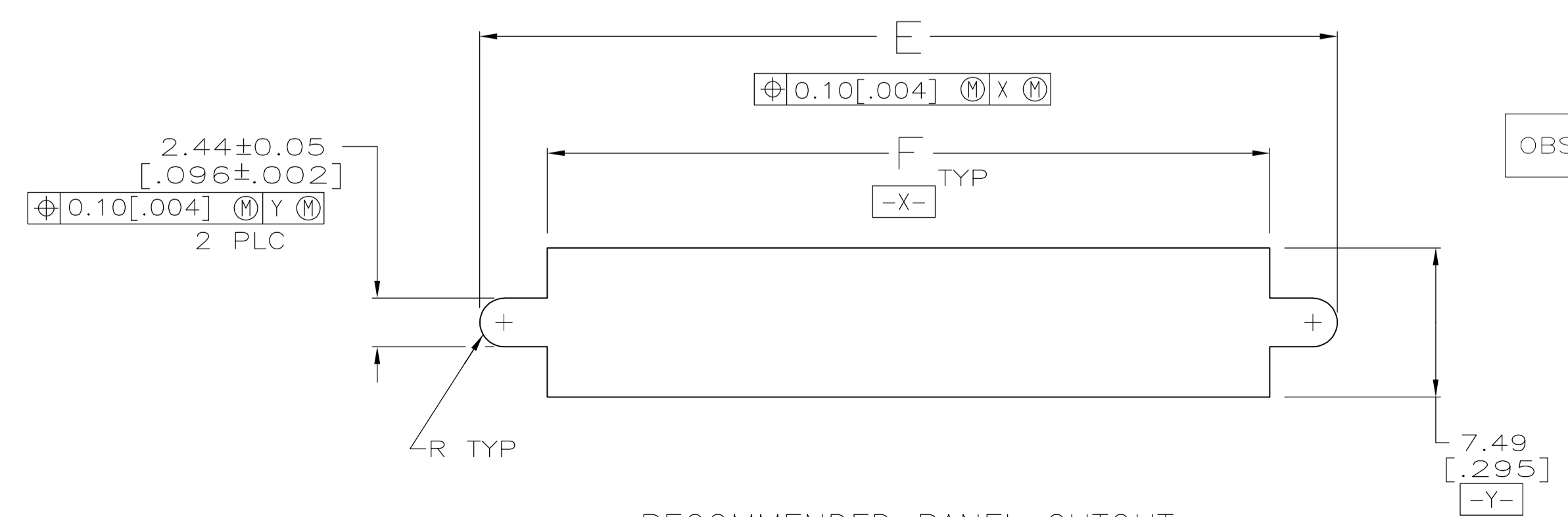
OBsolete PARTS: OBsolete CIS STREAMLINING PER D.RENAUD/D.SINISI



P.C. BOARD MOUNTING DIMENSIONS
 CONNCTOR SIDE
 P.C. BOARD THICKNESS 1.57±0.20 [.062±.008]
 PC BOARD PATTERN S



P.C. BOARD MOUNTING DIMENSIONS
 CONNCTOR SIDE
 P.C. BOARD THICKNESS 1.57±0.20 [.062±.008]
 PC BOARD PATTERN T



| | | | | | | | | | | | |
|---|------------------|---|------------------|----------------|------------------|------------------|------------------|------------------|------------------|-----|-------------|
| 3 | OBsolete | T | 78.23 [3.080] | 0.64 [.025] | 74.55 [2.935] | 80.67 [3.176] | 84.20 [3.315] | 66.45 [2.616] | 78.23 [3.080] | 100 | 5787394-9 |
| | | T | 65.53 [2.580] | 0.64 [.025] | 61.85 [2.435] | 67.97 [2.676] | 71.50 [2.815] | 53.75 [2.116] | 65.53 [2.580] | 80 | 5787394-8 |
| | | T | 57.91 [2.280] | 0.64 [.025] | 54.23 [2.135] | 60.35 [2.376] | 63.88 [2.515] | 46.13 [1.816] | 57.91 [2.280] | 68 | 5787394-7 |
| | | S | 46.48 [1.830] | 1.27 [.050] | 42.80 [1.685] | 48.92 [1.926] | 52.45 [2.065] | 34.70 [1.366] | 46.48 [1.830] | 50 | 5787394-5 |
| | OBsolete | T | 32.51 [1.280] | 0.64 [.025] | 28.83 [1.135] | 34.95 [1.376] | 38.48 [1.515] | 20.73 [.816] | 32.51 [1.280] | 28 | 5787394-3 |
| | | S | 31.24 [1.230] | 1.27 [.050] | 27.56 [1.085] | 33.68 [1.326] | 37.21 [1.465] | 19.46 [.766] | 31.24 [1.230] | 26 | 5787394-2 |
| | PC BOARD PATTERN | L | G | F | E | D | B | A | NO OF POSN | | PART NUMBER |

THIS DRAWING IS A CONTROLLED DOCUMENT.

| | | | |
|-------------------------|----------------------------------------|----------------------------|------------------------------------|
| DIMENSIONS: mm [INCHES] | TOLERANCES UNLESS OTHERWISE SPECIFIED: | DIN J. REITZEL 20DEC2004 | STE TE Connectivity |
| 0 PLC ± - | 1 PLC ± - | 20DEC2004 | RECEPTACLE ASSEMBLY, SHIELDED, TM |
| 2 PLC ± ± 0.13[.005] | 3 PLC ± - | APVD M. WALMSLEY 20DEC2004 | 108-1228 |
| 4 PLC ± - | ANGLES ± - | APPLICATION SPEC | RIGHT ANGLE, .050 SERIES AMPLITUDE |
| MATERIAL | FINISH | 114-40029 | SIZE: A1 |
| | | WEIGHT | SCALE: 4:1 |
| | | CUSTOMER DRAWING | SHEET 1 OF 1 |